

Technical data sheet

Product features



Cooking range gas on open cabinet

Model	SAP Code	00014779
--------------	-----------------	----------



- Device type: Gas unit
- Power consumption of the zone 1 [kW]: 7,5
- Power consumption of the zone 2 [kW]: 7,5
- Power consumption of the zone 3 [kW]: 7,5
- Power consumption of the zone 4 [kW]: 7,5
- Power consumption of the zone 5 [kW]: 4,5
- Power consumption of the zone 6 [kW]: 4,5
- Ignition: Eternal flame
- Material: AISI 304

SAP Code	00014779	Number of zones	6
Net Width [mm]	1200	Power consumption of the zone 1 [kW]	7,5
Net Depth [mm]	730	Power consumption of the zone 2 [kW]	7,5
Net Height [mm]	900	Power consumption of the zone 3 [kW]	7,5
Net Weight [kg]	105.00	Power consumption of the zone 4 [kW]	7,5
Power gas [kW]	39.000	Power consumption of the zone 5 [kW]	4,5
Type of gas	Natural gas, propane butane	Power consumption of the zone 6 [kW]	4,5

Technical data sheet

Technical drawing

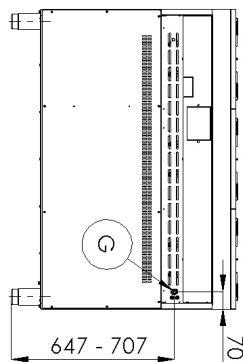
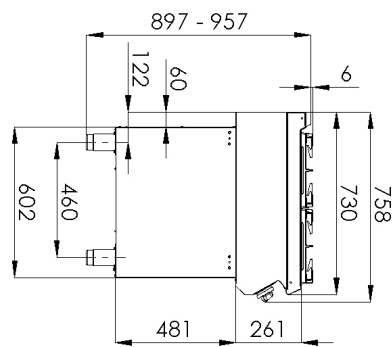
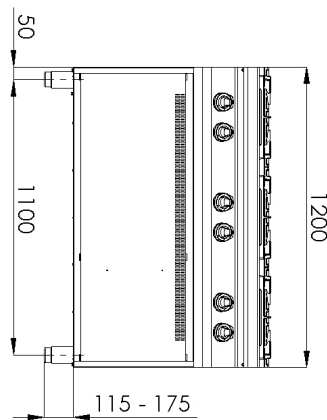


Cooking range gas on open cabinet

Model

SAP Code

00014779



Technical data sheet

Technical parameters



Cooking range gas on open cabinet

Model

SAP Code

00014779

1. SAP Code:

00014779

2. Net Width [mm]:

1200

3. Net Depth [mm]:

730

4. Net Height [mm]:

900

5. Net Weight [kg]:

105.00

6. Gross Width [mm]:

1260

7. Gross depth [mm]:

820

8. Gross Height [mm]:

1080

9. Gross Weight [kg]:

121.70

10. Device type:

Gas unit

11. Construction type of device:

With substructure

12. Power gas [kW]:

39.000

13. Ignition:

Eternal flame

14. Type of gas:

Natural gas, propane butane

15. Exterior color of the device:

Stainless steel

16. Material:

AISI 304

17. Worktop type:

Molded - comfortable cleaning maintenance

18. Worktop material:

AISI 304

19. Worktop Thickness [mm]:

1.50

20. Number of zones:

6

21. Power consumption of the zone 1 [kW]:

7,5

22. Power consumption of the zone 2 [kW]:

7,5

23. Power consumption of the zone 3 [kW]:

7,5

24. Power consumption of the zone 4 [kW]:

7,5

25. Power consumption of the zone 5 [kW]:

4,5

26. Power consumption of the zone 6 [kW]:

4,5

27. Grid material:

Cast iron

28. Service accessibility:

Trough the frontal panel

Technical data sheet

Technical parameters



Cooking range gas on open cabinet

Model	SAP Code	00014779
--------------	-----------------	----------

29. Safety thermocouple:

Yes

32. Type of gas cooking zones:

Classic

30. Adjustable feet:

Yes

33. Burner type:

Cast iron, detachable, with internal and external combustion

31. Number of burners/hot plates:

6

34. Connection to a ball valve:

1/2